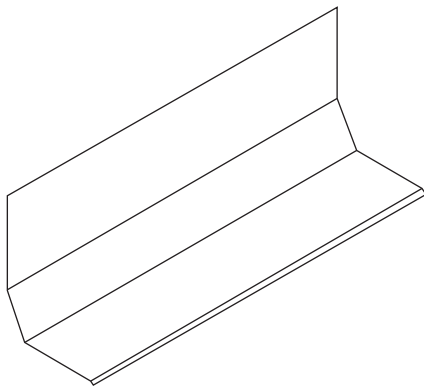
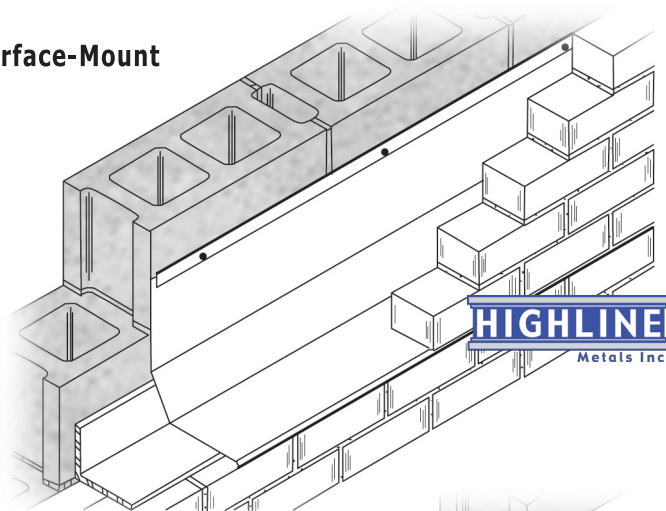


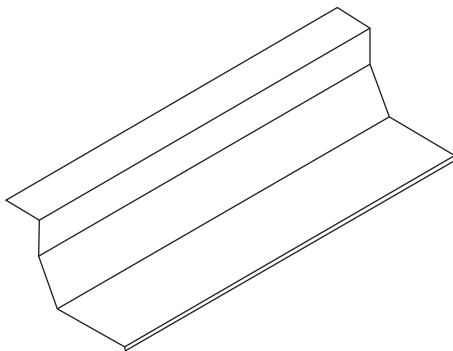
Metal Flashing



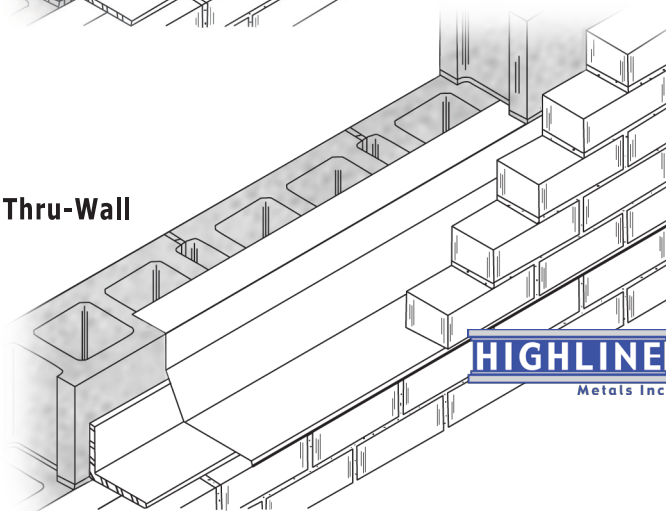
Surface-Mount



HIGHLINE
Metals Inc.



Thru-Wall



HIGHLINE
Metals Inc.

DRAWINGS FOR ILLUSTRATIVE PURPOSES ONLY

Metal Flashings

Stainless Steel Type 304: ASTM A 240, ASTM A 666,
 ASTM A 480, ASTM A 167
 Copper: ASTM B 370 - #110 Alloy
 Lead-Coated Copper: ASTM B 370 - #110 Alloy

Optional:

- Inside Corner Piece
- Inside Corner Piece (Thru-Wall)
- Outside Corner Piece (Surface-Mount)
- Outside Corner Piece (Thru-Wall)
- End Dam (State dimensions when ordering)

Material:

- Type 304 Stainless Steel 26 guage standard
- Type 304 Stainless Steel ____ guage (state guage)
- Copper 16 ounce
- G-90 Galvanized ____ guage
 (provide guage when ordering)